

Stroke Sander- GPSS AND PMC

BULLETIN ST-4000
REV. Dec. 2014



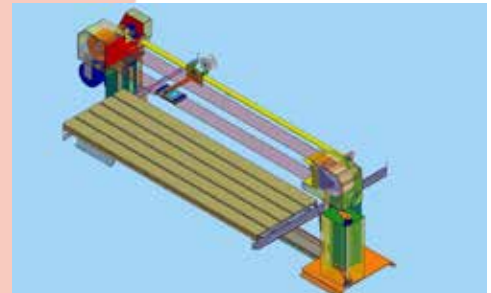
Standard Accessories:

Every stroke sander can be equipped with a manually operated traveling shoe .



Optional Accessories:

A contact wheel assembly with a matchless contact wheel (above) can be purchased where more aggressive sanding and/or a shorter scratch pattern is desirable.



PMC-168,216,264,312 and 360

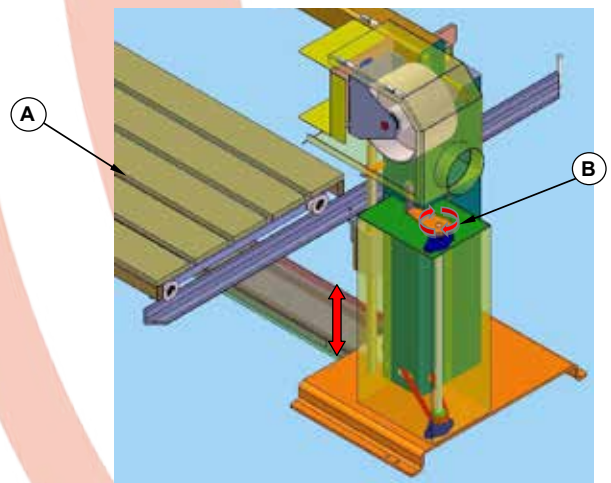
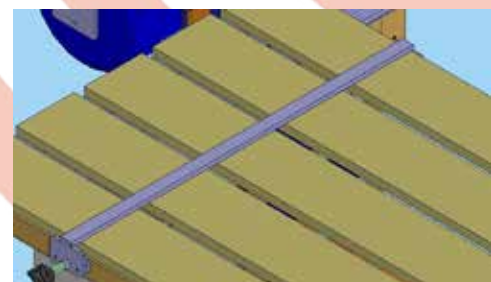


Table Height Adjustment

The work table can be adjusted by the operator for accurate polishing of the desired material and thickness (Illustration #10-A), simply by turning the aluminium knob (illustration #10-B)



Manual Lift Table



GRINDING & POLISHING MACHINERY CORPORATION

2801 TOBEY DRIVE / INDIANAPOLIS, IND. 46219

PHONE (317) 898-0750 FAX (317) 899-1627



Stroke Sander- GPSS AND PMC

BULLETIN ST-4000
REV. Dec. 2014

G&P Machinery - GPSS Heavy Duty Stroke Sanders - MADE IN THE U.S.A.					
Model	HP	Belt Size	Table Length	Net Weight	Approx. Shipping Weight
GPSS-6216-7	7.5	6" x 216"	6'	1900 lbs	2100 lbs
GPSS-6264-7	7.5	6" x 264"	8'	2000 lbs	2200 lbs
GPSS-6312-7	7.5	6" x 312"	10'	2200 lbs	2400 lbs
GPSS-6360-7	7.5	6" x 360"	12'	2300 lbs	2500 lbs
OPTIONS for GPSS Models Heavy Duty Electric Scissors Lift Table - STANDARD Air Tension - STANDARD Contact Wheel Assembly (in place of traveling shoe) Contact Wheel Assembly (in addition to traveling shoe)					
DOUCET - Stroke Sanders					
Model	HP	Belt Size	Table Length	Net Weight	Approx. Shipping Weight
PMC-168-6	5	6" x 168"	4'	800 lbs	1000 lbs
PMC-216-6	5	6" x 216"	6'	1100 lbs	1300 lbs
PMC-264-6	5	6" x 264"	8'	1400 lbs	1600 lbs
PMC-312-6	5	6" x 312"	10'	1700 lbs	2000 lbs
PMC-360-6	7.5	6" x 360"	12'	2000 lbs	2300 lbs
OPTIONS for PMC Models Manual Hand Crank for Vertical Table Adjustment- STANDARD Air Tension 7.5 HP (instead of 5 HP) Contact Wheel Assembly (in place of traveling shoe) Contact Wheel Assembly (in addition to traveling shoe)					
ACCESSORIES - ALL MODELS					
Graphite Coated Mitt Graphite Stick Graphite Coated Cloth (to recover Hand Block / Traveling Shoe) Hand Block (6" x 9") 6 x 5-3/4 Grade B Matchless Contact Wheel Variable Abrasive Belt Speed					

STANDARD SPECIFICATIONS

- 7.5 HP 1800 RPM, TEFC motor 230-460/3/60 (specify voltage) (GPSS Only)
- Magnetic push button starter with motor overload protection
- Air tension for abrasive belt (GPSS Only)
- Abrasive belt guard with 6" dia. Exhaust outlet at drive (motor) end
- 4, 300 SFPM Abrasive belt speed
- Traveling shoe with ball bearing rollers
- Steel frame, wood slat table with ball bearing rollers for in/out motion

OPTIONAL EQUIPMENT

- Electronically powered vertical adjustment for table (PMC Only)
- 7 1/2 HP motor (PMC Only)
- Electronic inverter for variable speed
- Contact wheel assembly for use with matchless or other contact wheel.



SPECIFICATIONS SUBJECT TO CHANGE WITHOUT NOTICE

NEVER OPERATE ANY SANDING EQUIPMENT WITHOUT PROPER GUARDING. ALWAYS WEAR EYE AND EAR PROTECTION WHEN OPERATING THIS OR ANY SANDING EQUIPMENT



GRINDING & POLISHING MACHINERY CORPORATION

2801 TOBEY DRIVE / INDIANAPOLIS, IND. 46219

PHONE (317) 898-0750 FAX (317) 899-1627