

# Special Combination Buffer/ Abrasive Belt Swingframe Grinder

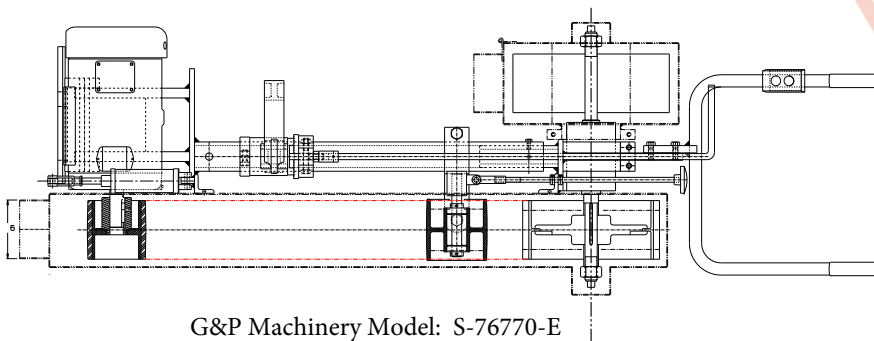
Bulletin SBC/ASG  
REV. Dec. 2014

**Model: S-7677-E** (as shown in the photos) with the belt on the left hand side and buff on the right

**Model: S-7677-E-OH** – opposite hand with the belt on the right hand side and buff on the left

## Both Models:

- 15 Horsepower
- 6 x 132 abrasive belt on either left or right hand side of the machine, abrasive belt speed is 5,500 sfpm
- 14" x 6" wide serrated contact wheel
- 16" diameter x 6" wide (maximum) x 1 1/4" bore buffing wheel at approx.. 1540 RPM
- Suspension bar to hand grinder
- Adjustable swivel that can be locked into place



G&P Machinery Model: S-76770-E



**GRINDING & POLISHING MACHINERY CORPORATION**  
2801 TOBEY DRIVE / INDIANAPOLIS, IND. 46219  
PHONE (317) 898-0750 FAX (317) 899-1627