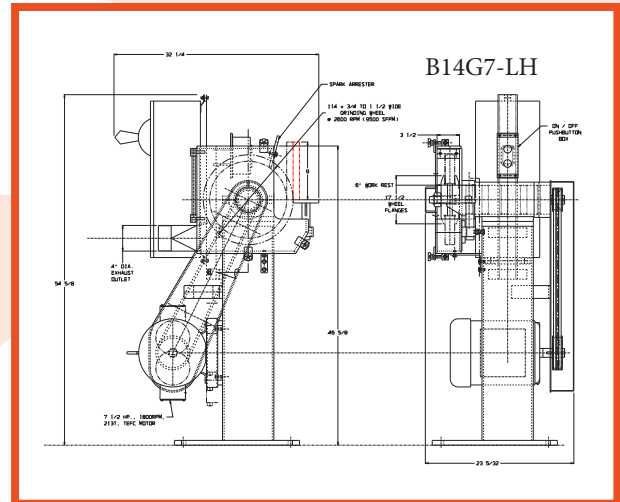


HARDWHEEL PEDESTAL GRINDER

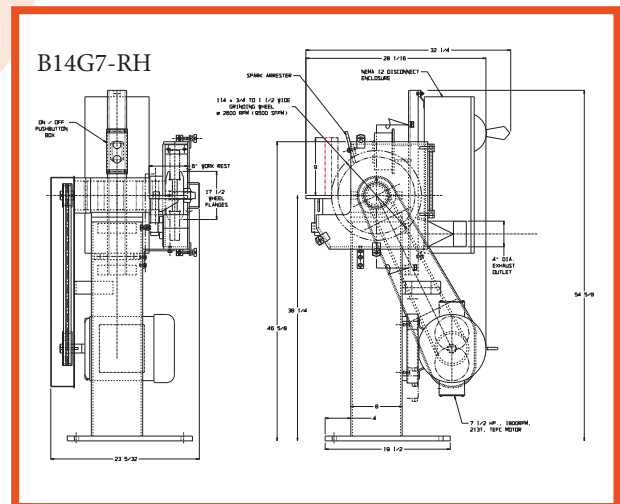
BULLETIN HWPG

Machine Specifications:

- 7 1/2 horsepower, 1800 rpm, TEFC, EISA compliant motor
- Wheel guard for 14" diameter x 3/4" to 1-1/2" wide grinding wheel
- Adjustable tongue to accommodate wheel being worn down to 12" diameter
- Adjustable work rest
- 1 1/4" dia. spindle with pressed on inner wheel flange and free outer wheel flange
- Press down spring release spindle lock for easy wheel removal \ installation
- 3,600 rpm spindle speed providing 12,200 feet per minute peripheral wheel speed on a 14" diameter wheel
- 38 1/2" spindle height with Heavy duty fabricated steel construction for continuous operation in a harsh environment



Left hand configuration – Part # B14G7-LH



Right hand configuration – Part # B14G7-RH
(shown in the photos)

Please contact G&P Machinery for any additional information including drawings, pricing, and delivery or information for horsepower and other specification modifications for your job's current requirements for a robust hardwheel pedestal grinder.



GRINDING & POLISHING MACHINERY CORPORATION

2801 TOBEY DRIVE / INDIANAPOLIS, IN 46219

PHONE (317) 898-0750 • FAX (317) 899-1627